

options (suffix)

ENP Plating "-ENP" • FKM Seals "-V"

-ENP Electroless Nickel Plating

This option provides a low luster finish on brass parts for decorative purposes that also protects the surface from corrosion and tarnishing. It has a nominal thickness of 5 μ , and does not affect the fit or function of the part.

Imperial

In order to accommodate applications around the globe, also Clippard Control Valves and other product lines are available with imperial ports. Consult factory for availability.

-V FKM

This option replaces the standard Nitrile seals with FKM seals either for high temperature (up to + 200°C) applications or those that require Viton for chemical compatibility.

Consult factory for availability.

Temperature Range

All Directional Control Valves in this section have a temperature range of 0 to 110°C.

CUSTOMer solutions

If you need a product that fits your application perfectly, Clippard has the capability to design or modify one of its products to suit your exact needs. We understand that a standard catalog product may be close but not be exactly what you need. **Let us know YOUR Need, and we will help to find YOUR Solution!**

www.clippard.com/customersolutions

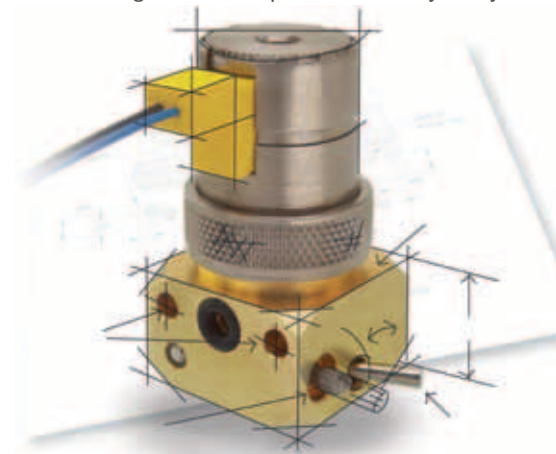
Alternate materials, seals and/or lubrication for specific applications are common (and welcomed) requests at Clippard. Stainless steel, aluminum, plastic or brass. All available, just ask!

Needle valves are common in controlling the flow of fluids and gases. This special needle valve uses a "D" stem for adapting to standard panel knobs. It also incorporates a special left-handed thread to provide a more intuitive clockwise movement to increase flow.

Clippard miniature valves and associated products have evolved into a widely used system of fluid power control devices, known for quality, value and performance.

Over the past five decades, a diverse range of industries in the U.S. and throughout the world have come to rely on Minimatics to control machines, systems, and processes through an unlimited list of applications. Clippard quality in design, engineering, manufacturing, as well as an expansive product offering, make Minimatics the preferred choice for miniature and subminiature pneumatic applications.

Recognized as the original and most complete line of miniature pneumatic components, Clippard's Minimatic line is available across the globe through a network of fully-trained, stocking distributors. Clippard and our distributors stand ready to provide expert application assistance, support, and technical answers, to help you achieve the highest level of performance in your system.



Clippard's unparalleled history in providing new and innovative products continues today with advanced manufacturing machines and techniques, experienced design and application engineers, and a work force that is not only experienced, but one that genuinely wants to exceed the customer's expectations. We take great satisfaction in shipping you a quality products

A combination assembly using a toggle or push button operator and Clippard's pressure-actuated electrical switch provides a simultaneous air and electrical output.